

LEGACY[®]

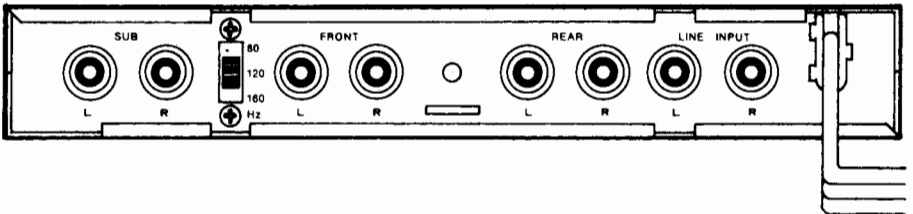
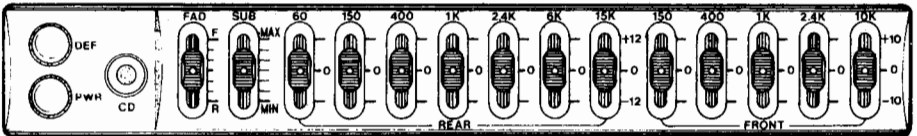
High Performance Car Audio

MODEL LEQ-12A

Full Octave Equalizer

Thank you for purchasing the Legacy Model LEQ12A Graphic Equalizer. The LEQ12A was designed and engineered in the United States and will give you years of dependable service. The LEQ12A was manufactured at our exclusive facility to strict quality standards. Each unit is quality checked and burned in at the factory to insure that it will work perfectly when installed in your vehicle. We are so confident in the quality of our product that we back it with a limited five year warranty! See back cover for warranty details and information.

The LEQ12A is a 12-band graphic equalizer which allows you to control 7 bands of equalization for the rear output and 5 bands of equalization for the front output each independent of the other. The LEQ12A also features an active built-in electronic subwoofer crossover with boost/cut control, CD JACK for your CD player and fader control. All packaged in a compact 1/2 DIN chassis to fit into your car dashboard under the radio. The LEQ12A also comes with special mounting brackets if you wish to mount the unit under the dashboard or in your glove compartment.



FEATURES & FUNCTIONS

1. Fader Control

Fader slide mechanism to control the balance between the front and rear speakers. This fader will override the fader in your car stereo.

2. Subwoofer Output Control

Fader slide mechanism to control the amount of subwoofer gain at the predetermined crossover point. The subwoofer can be adjusted from minimum to maximum by sliding the fader upwards.

3. Subwoofer Active Electronic Crossover

The three position switch on the rear of the unit adjusts the crossover point for your subwoofer system. The LEQ12A features separate dual RCA outputs for the subwoofer channel so that the subwoofers can run on a separate amplifier or separate channels of a multi-channel amplifier. The crossover switch is adjustable to either 80, 120 or 160 Hz. Depending on your subwoofer frequency response adjust this switch to the proper setting.

4. Frequency Band Control

The LEQ12A has 12 bands of frequency control attenuated by individual sliders. The Front and Rear outputs of the LEQ12A have independent equalizer controls. Seven banks of frequency control for the rear channel output, 60Hz, 150Hz, 400Hz, 1KHz, 2.4KHz, 6KHz, 15KHz and five bands of frequency control for the front output channels, 150 Hz, 400Hz, 1KHz, 2.4KHz, 10KHz. The center detent position represents 0db boost. By sliding the fader up or down you can either increase (up) or decrease (down) the amount of boost by 10dB for the front channels & 12dB for the rear channels. Your personal preference is the general rule to set the equalizer band controls. The LEQ12A will allow you to tailor the sound to your particular listening pleasure and will help compensate for unwanted peaks and dips found in car music systems.

5. CD Input Jack (3.5mm)

Connect your portable CD player to the CD input JACK on the front panel by a stereo path cord with a stereo mini plug at both ends. Turn on your CD player and then turn on the equalizer.

6. Equalizer Power

This switch turns on the LEQ12A and also transmits the remote power to your amplifier system.

When depressing the DEF switch to the on position, the equalizer controls are defeated and are not being deployed. Amplifier operation at this point is essentially flat. When releasing this switch to the off position the equalizer controls are once again employed and the amplified signal is set to the equalizer frequency band settings.

7. Rear Panel Input Controls

The LEQ12A accepts the Low Level High Impedance RCA Inputs. If your radio has RCA Jack Outputs use these to input the signal into the LEQ12A RCA inputs. By doing this you will be bypassing the fader control of your head unit and the fader operation will be controlled by the LEQ12A. This will also allow you to use the speaker outputs of your radio to power your front speakers if you so choose eliminating the need for a separate amplifier for your front speakers. (This is really only recommended if your head unit is a high power model otherwise you will lose the front staging effect because the rear speakers attached to your amplifier will outplay your front speakers being driven by the head unit).

See Diagram A for RCA input configuration.

If your radio does not have RCA output jacks as in the case of most standard OEM radios you can use the speaker outputs from those head units to power the LEQ12A by interfacing them with a high/low level impedance adaptor like the Pyramid Model NS60 or any of the other numerous models available. Be sure to use the correct adaptor so that if you have a high power radio it will be able to reduce the level low enough not to cause any noise problems in the installation.

See Diagram B for Speaker Level input configuration with adaptor.

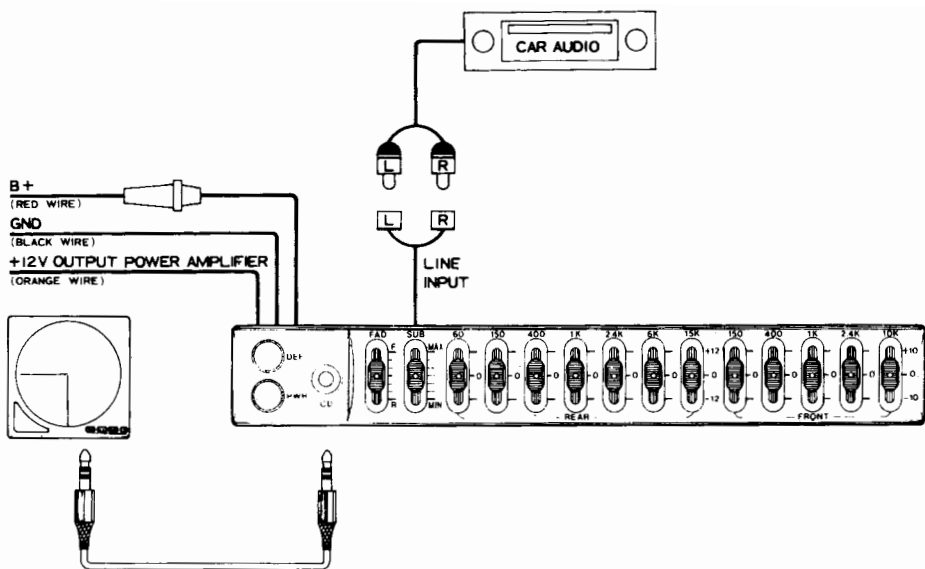


DIAGRAM A

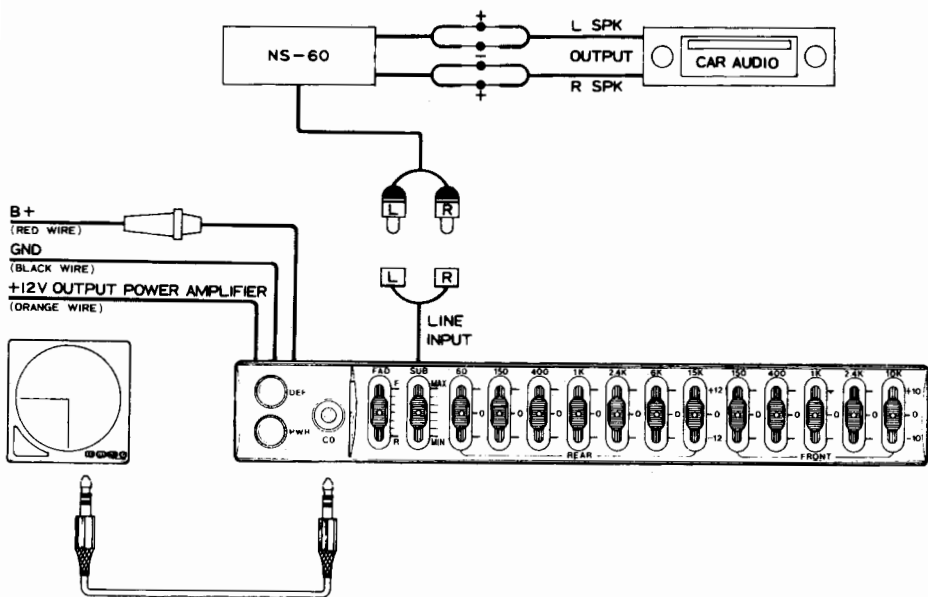


DIAGRAM B

8. Rear Panel Output Controls

There are six RCA output jacks. The six RCA output jacks are divided into three segments. The first segment controls the front output of the amplifier, the second segment controls the rear output of the amplifier. The third segment controls the subwoofer amplification. You do not have to use all six outputs for the LEQ12A to operate you can choose any one pair of segments. What the LEQ12A does is to divide your input signal into six output channels. You can thus configure your amplification system into 3 separate 2-channel amplifiers or one four-channel amplifier for the front and rear segment and a separate subwoofer amplifier for the subwoofer output. Or you can choose three separate two-channel amplifiers. This is the beauty of the LEQ12A. It affords you the choice of an almost innumerable amount of amplifier configurations.

See Diagram C for sample amplifier installations.

MOUNTING/WIRING INSTRUCTIONS

The LEQ12A is a Half DIN sized unit. It can be mounted in the dashboard with your head unit in most cases. Use of an auxiliary installation kit is needed like those made by American International® or Scoche® products.

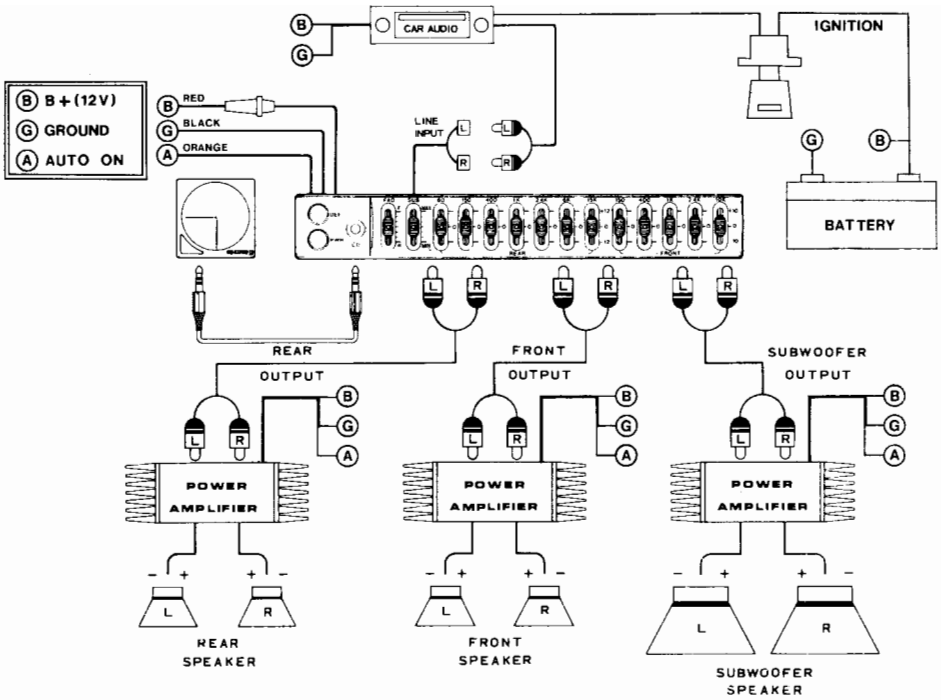
The LEQ12A is also supplied with mounting brackets giving you the option to mount the equalizer under your dash, or on the console or in your glove compartment.

There are three power wires coming out of the back of the unit. The Red wire with the inline fuse is for 12 Volts DC into the unit. This wire should be hooked up to an accessory line which turns on only when the car is running or the key of the car is in the accessory position.

The Black wire is the ground wire. Attach this wire to either the same ground of your head unit or to a clean chassis point located in the dashboard or on the fire wall. The shorter the ground wire connection the better chance of not having any interference or noise problems.

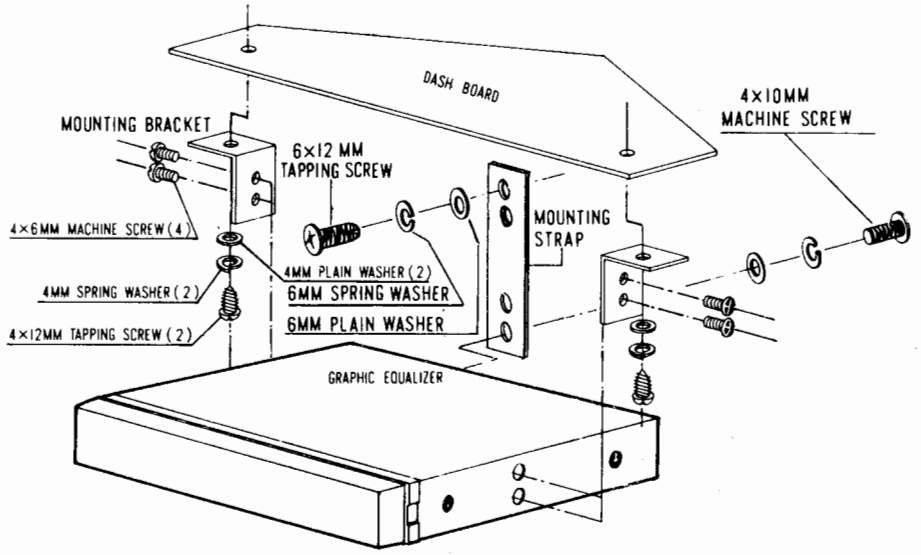
The Orange wire is the remote start for your amplifier. This wire should be attached to the remote turn on circuit of your amplifiers or crossovers. This way when the LEQ12A is turned on it will automatically power on your amplifier system.

See Diagram D for wiring directions.



MOUNTING INSTRUCTIONS

DIAGRAM D



TECHNICAL SPECIFICATIONS

All specifications at: Source Voltage - 14.4 VDC
Load Impedance - 10K Ohms
Reference Voltage - 400 mV
Input Impedance: 10K Ohm
Control Frequencies: Front - 15Hz / 400Hz / 1KHz 2.4KHz / 10KHz
Rear - 60Hz / 150 Hz / 400 Hz
1KHz / 2.4KHz / 6KHz 15KHz
Subwoofer Frequency Crossover Points: 80/120/160HZ
Filter Roll Off: 12db per octave 2nd octave 2nd order Butterworth
Control Range: 10dB Boost/Cut Front. 12dB Boost/Cut Rear.
Frequency Response: 20Hz - 20KHz
Signal to Noise ratio: 90 dB (A - Wtd)
Input Sensitivity for 200mV Output 400mV
Power Requirement: 11-16 Volts negative ground
Dimensions: 178 × 25 × 145 mm (W.H.D)

PRODUCT WARRANTY

Legacy Audio Systems warrants this product to be free from defective material or factory workmanship and will repair this unit or any part thereof if it proves defective in normal use or service within 5 years from date of original purchase. This warranty is to the initial owner of the product and cannot be transferred. Our obligation under this warranty is limited to repairing the defective instrument or any part thereof when it is returned transportation prepaid to Legacy Audio Systems. This warranty will be considered null and void if unit is tampered with, improperly serviced or subject to misuse, negligence or accidental damage. No unit will be accepted for warranty service if not accompanied by a receipt marked paid in full and a copy of this warranty card.

When returning for free warranty service, please include \$15.00 with unit to cover return postage and insurance. You must include a note detailing trouble you are having with the unit. The unit will be returned to you in the same cosmetic condition as it was received by us. Keep the packaging material that this unit came with and pack unit in it when returning for warranty service. The unit can be returned to any of the following locations:

PYRAMID SOUND CORP.
Legacy Audio Systems, Inc.

1501 60 Street
Brooklyn, NY 11219

11019 Penrose Street
Sun Valley, CA 91352

5669 W. Howard Ave
Niles, IL 60648

Please allow 4 weeks from the date of arrival for the unit to be returned to you. In most cases we will have the unit back to you way before this time limit. Out of warranty service is available.

Model Number: LEQ12A

Serial Number: _____

Found on bottom plate of unit

Date Purchased: _____

Be sure to include a copy of this warranty with your paid receipt when returning item for free warranty service!

www.legacycaraudio.com